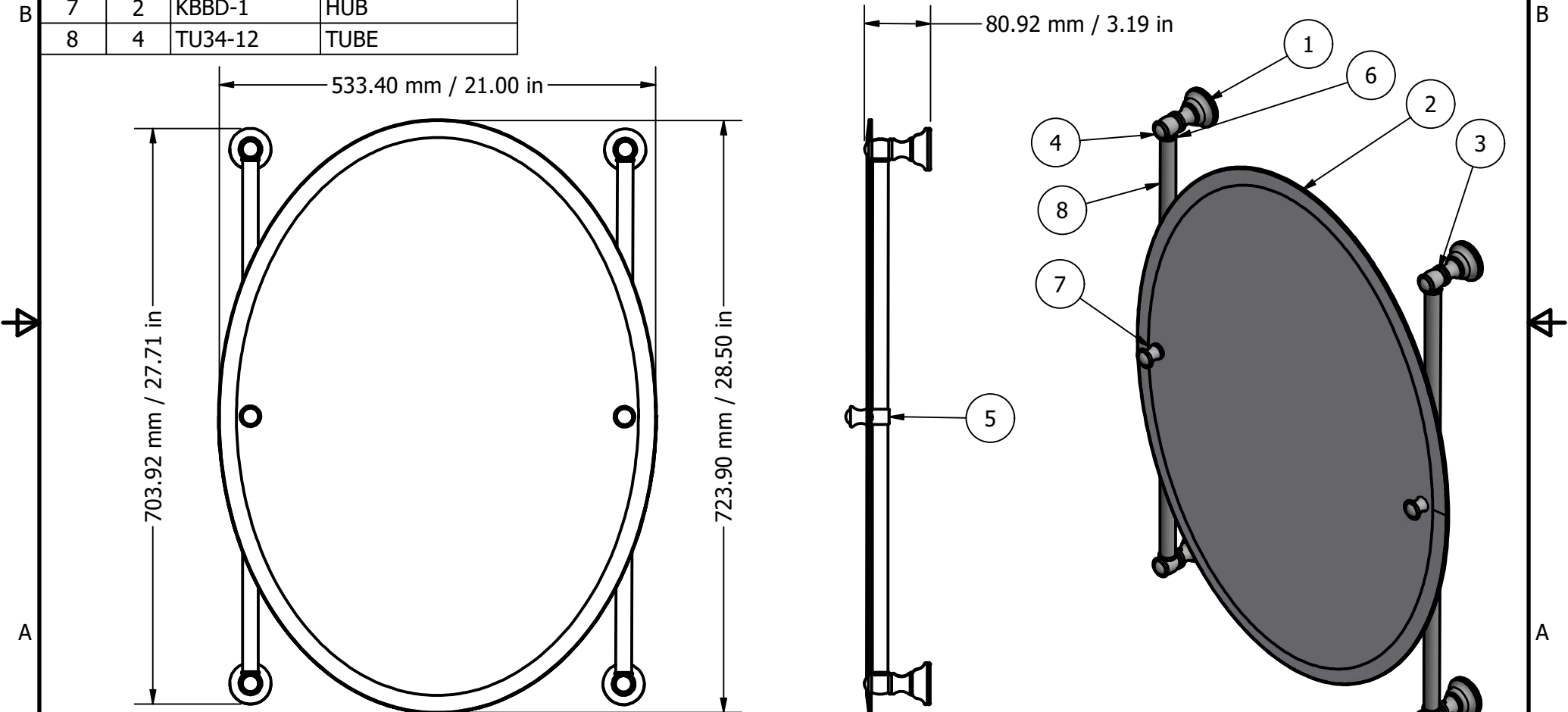


PARTS LIST			
ITEM	QTY	PART NUMBER	DESCRIPTION
1	4	TBBS-2	BACKPLATE
2	1	MROV-91	OVAL MIRROR
3	4	TSPS-2	HUB
4	6	CL-CAP	CAP
5	2	MR-TILT-FIT	HUB
6	8	CRRD-34	CHECK RING
7	2	KBBD-1	HUB
8	4	TU34-12	TUBE

APPROVED FOR PRODUCTION

By: RICHARD PAUL
Date: 10-24-19



UNLESS OTHERWISE SPECIFIED

.X	± .3mm
.XX	± .15mm
.XXX	± .008mm

COPYRIGHT ©ALLIEDBRASS 2018

THIRD ANGLE PROJECTION

DRAWN	10-24-19	IM
CHECKED	10-24-19	
APPROVED	10-24-19	R.A.

MATERIAL: BRASS

DESCRIPTION: Carolina Oval Rail Mounted Mirror

FINISH	TBD
QTY	TBD
DRAWING NO.	CL-27-91
SCALE	1.5:1 SHEET: 1 OF 1
REV	0